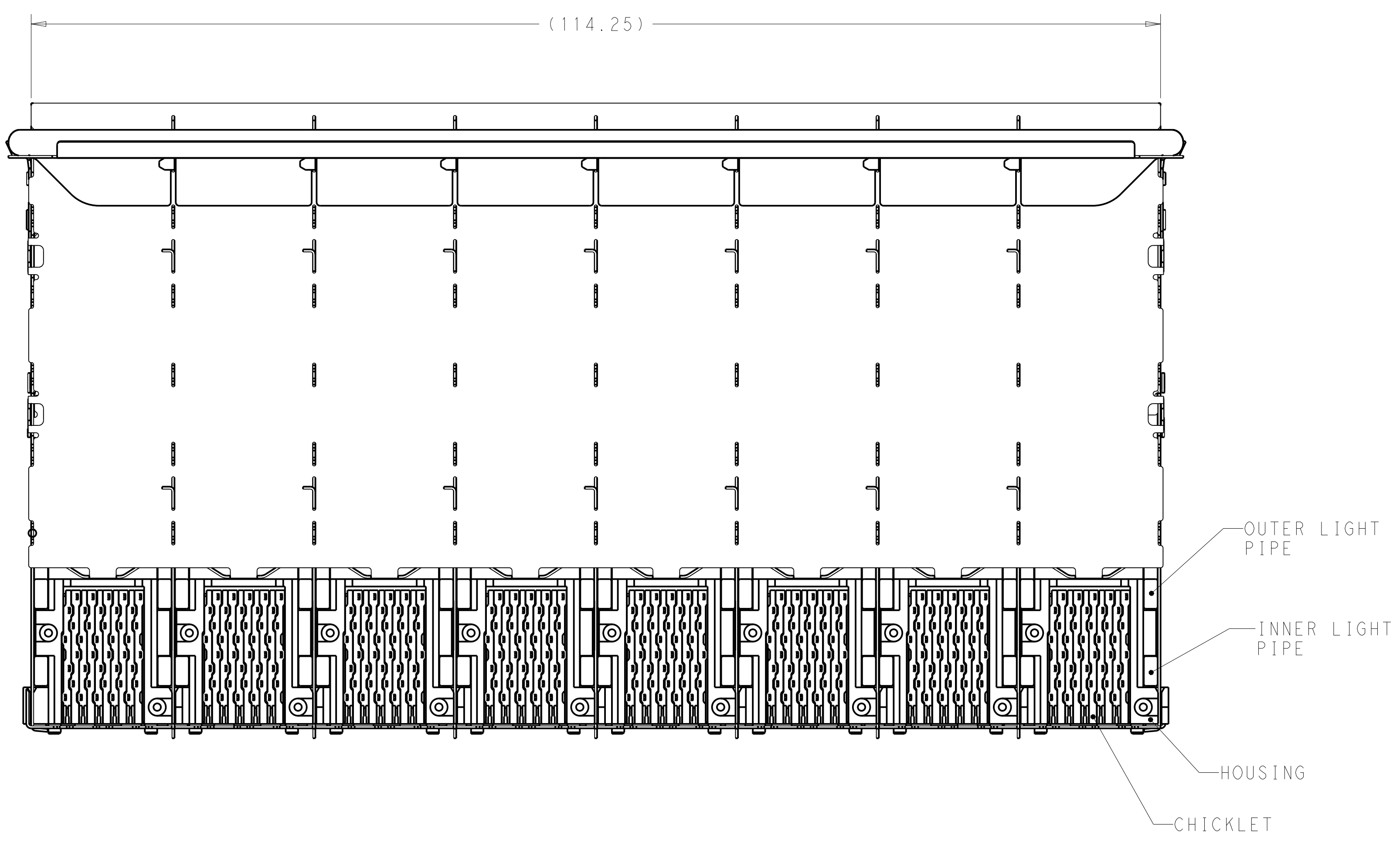
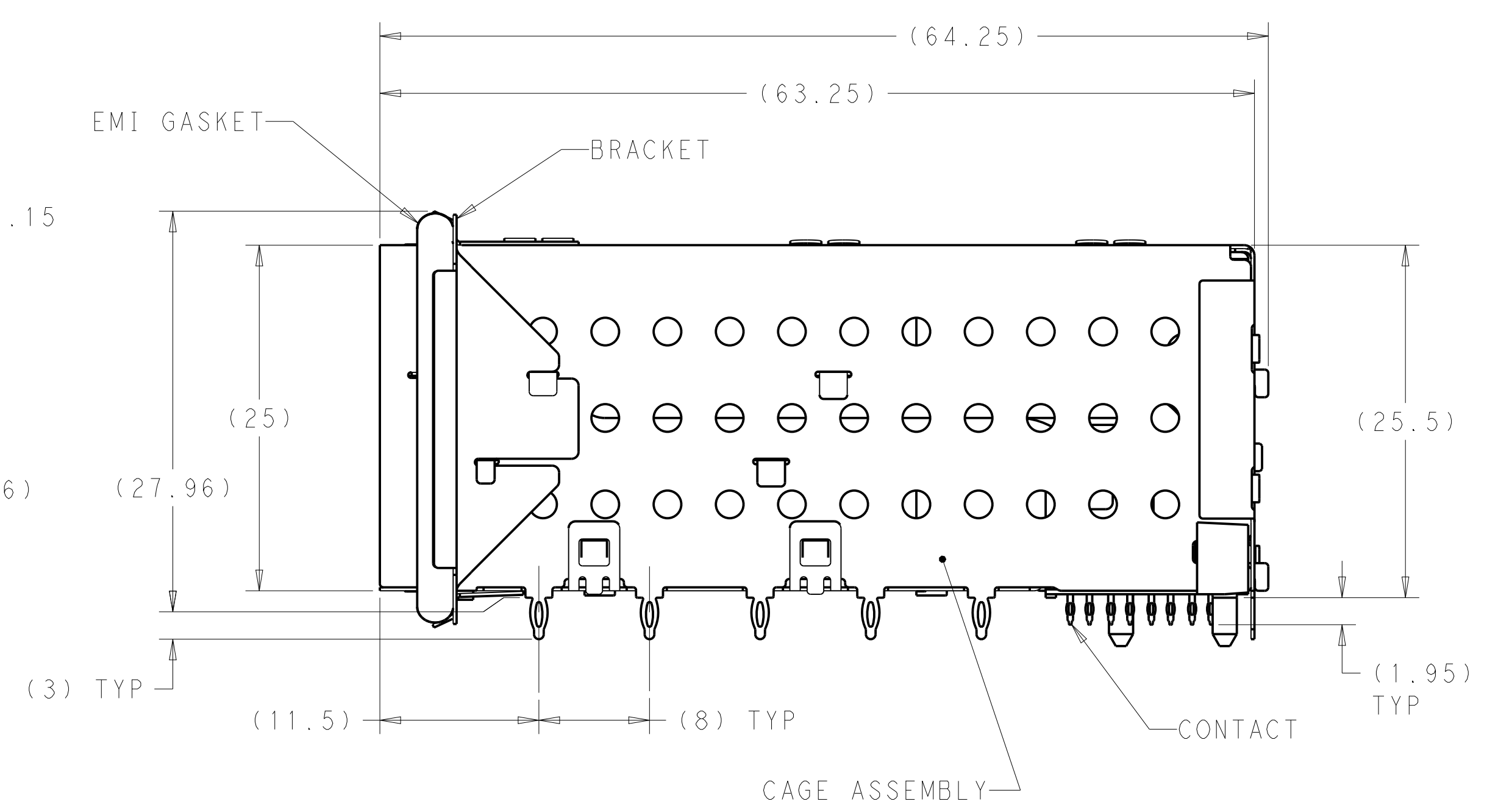
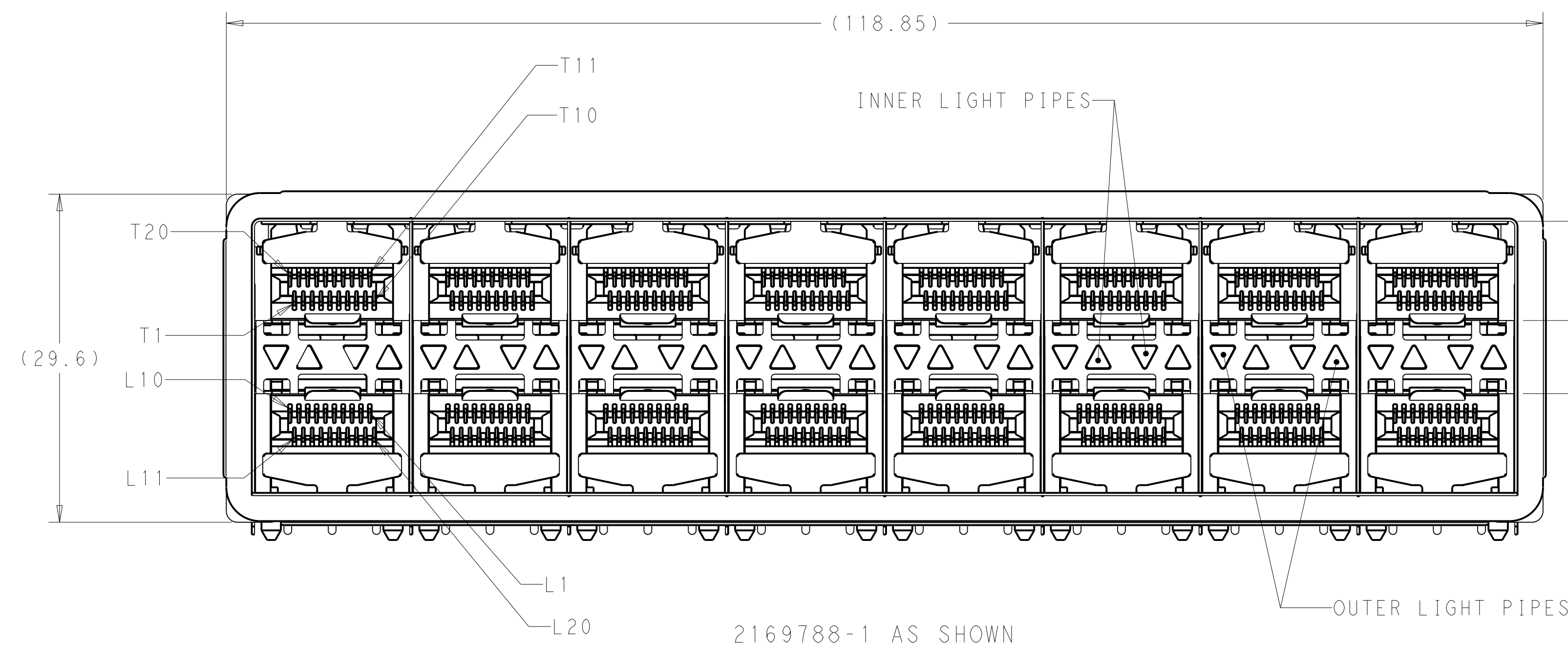


LOC	DIST	REVISIONS			
GP	00	REV	DATE	BY	APPV
		A	17OCT2011	CJV	PAR
		B	12MAY2014	CJV	PAR



- △ MATERIALS:
 CAGE ASSEMBLY- NICKEL SILVER ALLOY PER ASTM B 122.
 BRACKET- STAINLESS STEEL.
 EMI GASKET- PLATED FILLED SILICONE.
 HOUSING- BLACK LCP, UL 94V-0 RATED.
 CHICKLET- BLACK LCP, UL 94V-0 RATED.
 LIGHT PIPE- POLYCARBONATE, CLEAR.
 CONTACT- COPPER ALLOY.
- △ DATUM AND BASIC DIMENSIONS ESTABLISHED BY CUSTOMER.
- 3. MINIMUM PCB THICKNESS OF 1.5.
- △ CONTACT FINISH- CONFORMS TO THE REQUIREMENTS OF TE PRODUCT SPECIFICATION 108-2331, BASED ON EIA/ECA-364-1000.01A, (CONTROLLED ENVIRONMENT APPLICATIONS) ON MATING INTERFACE, TIN-LEAD ON NEEDLE EYE.
- △ CONTACT FINISH- CONFORMS TO THE REQUIREMENTS OF TE PRODUCT SPECIFICATION 108-2331, BASED ON EIA/ECA-364-1000.01A, (CONTROLLED ENVIRONMENT APPLICATIONS) ON MATING INTERFACE, TIN ON NEEDLE EYE.
- △ FOR HOLE SIZE AND PLATINGS, SEE APPLICATION SPEC 114-13219.
- △ THE ENTIRE AREA OF THE CONNECTOR FOOTPRINT, INDICATED BY THE DASHED LINE, TO BE CONSIDERED THE KEEPOUT AREA FOR COMPONENTS AND SIGNAL TRACES, TOP SIDE ONLY. TOP SIDE TRACES ALLOWED WITHIN CONNECTOR HOLE PATTERN.
- △ LIGHT PIPE PAD LAYOUT IS FOR 0805 LOW PROFILE LED PACKAGE WITH A HEIGHT OF 0.8mm.

FINISH	DESCRIPTION	PART NUMBER
5	NO LIGHT PIPES	2169788-8
	OUTER 2 LIGHT PIPES	2169788-7
	INNER 2 LIGHT PIPES	2169788-6
4	4 LIGHT PIPES	2169788-5
	NO LIGHT PIPES	2169788-4
	OUTER 2 LIGHT PIPES	2169788-3
	INNER 2 LIGHT PIPES	2169788-2
	4 LIGHT PIPES	2169788-1

THIS DRAWING IS A CONTROLLED DOCUMENT.

OWN: C. VALENTINE 18JAN2011
 CHK: P. RECCE 18JAN2011
 APVD: P. RECCE 18JAN2011

TE TE Connectivity

NAME: CAGE AND PT CONNECTOR ASSEMBLY, WITH EMI GASKET, PRESS FIT, 2X8, STACKED SFP+

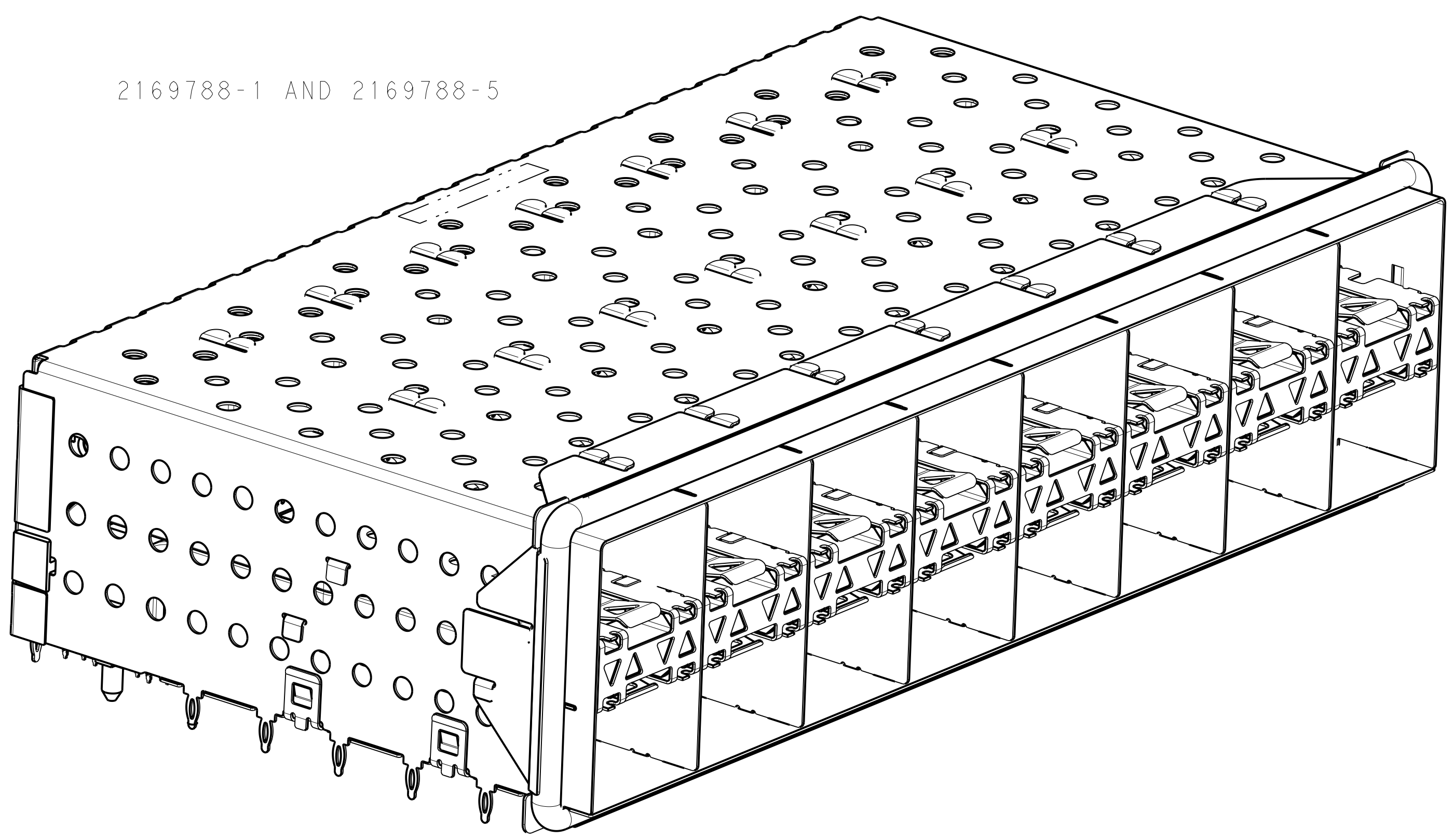
PRODUCT SPEC: 108-2331
 APPLICATION SPEC: 114-13219

SIZE: CAGE CODE DRAWING NO: A100779C=2169788
 WEIGHT: -
 CUSTOMER DRAWING

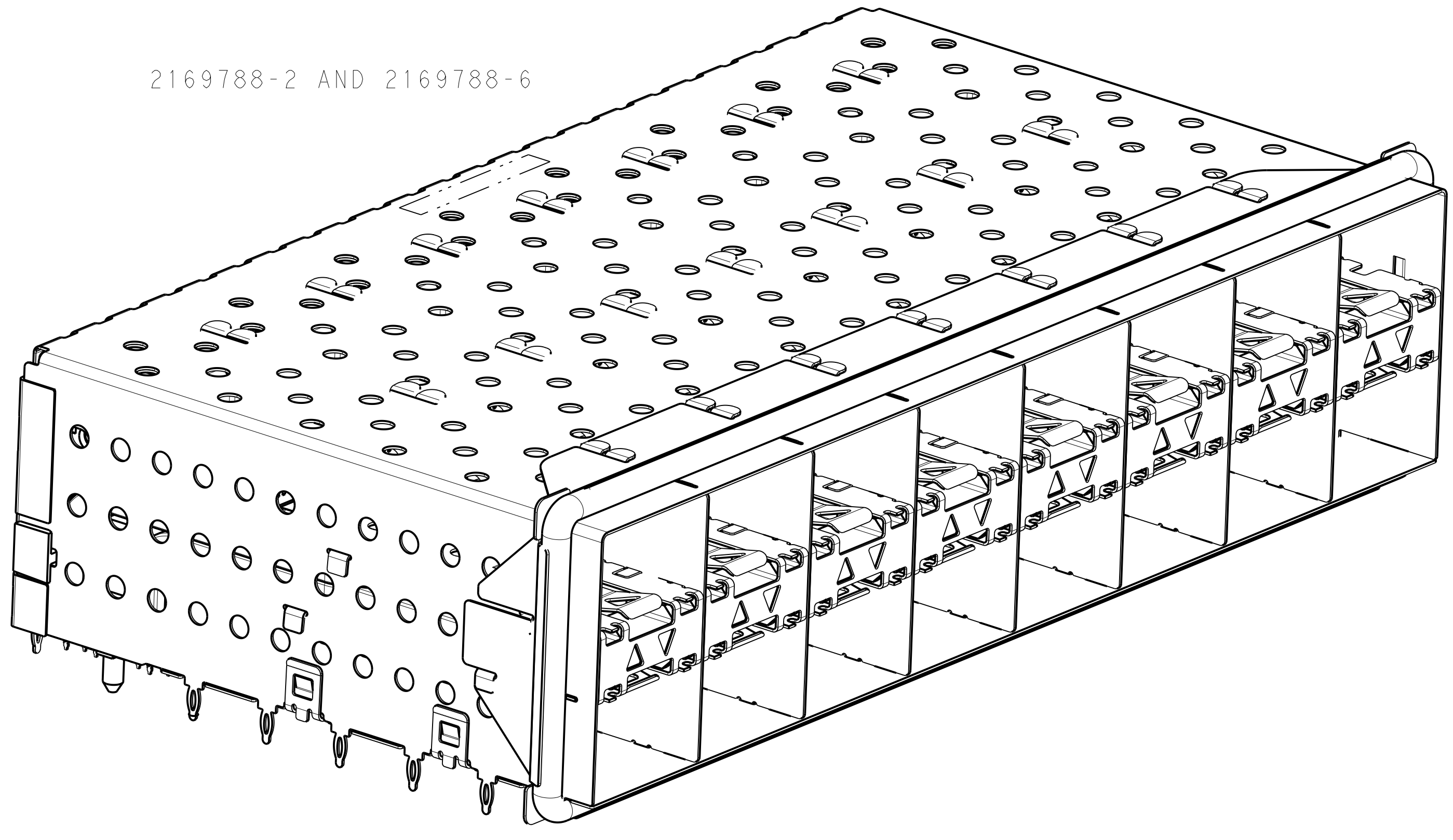
SCALE: 3:1 SHEET 1 OF 4 REV B

LOC		DIST		REVISIONS			
GP	00	P	LYN	DESCRIPTION	DATE	OWN	APVD
				SEE SHEET 1			

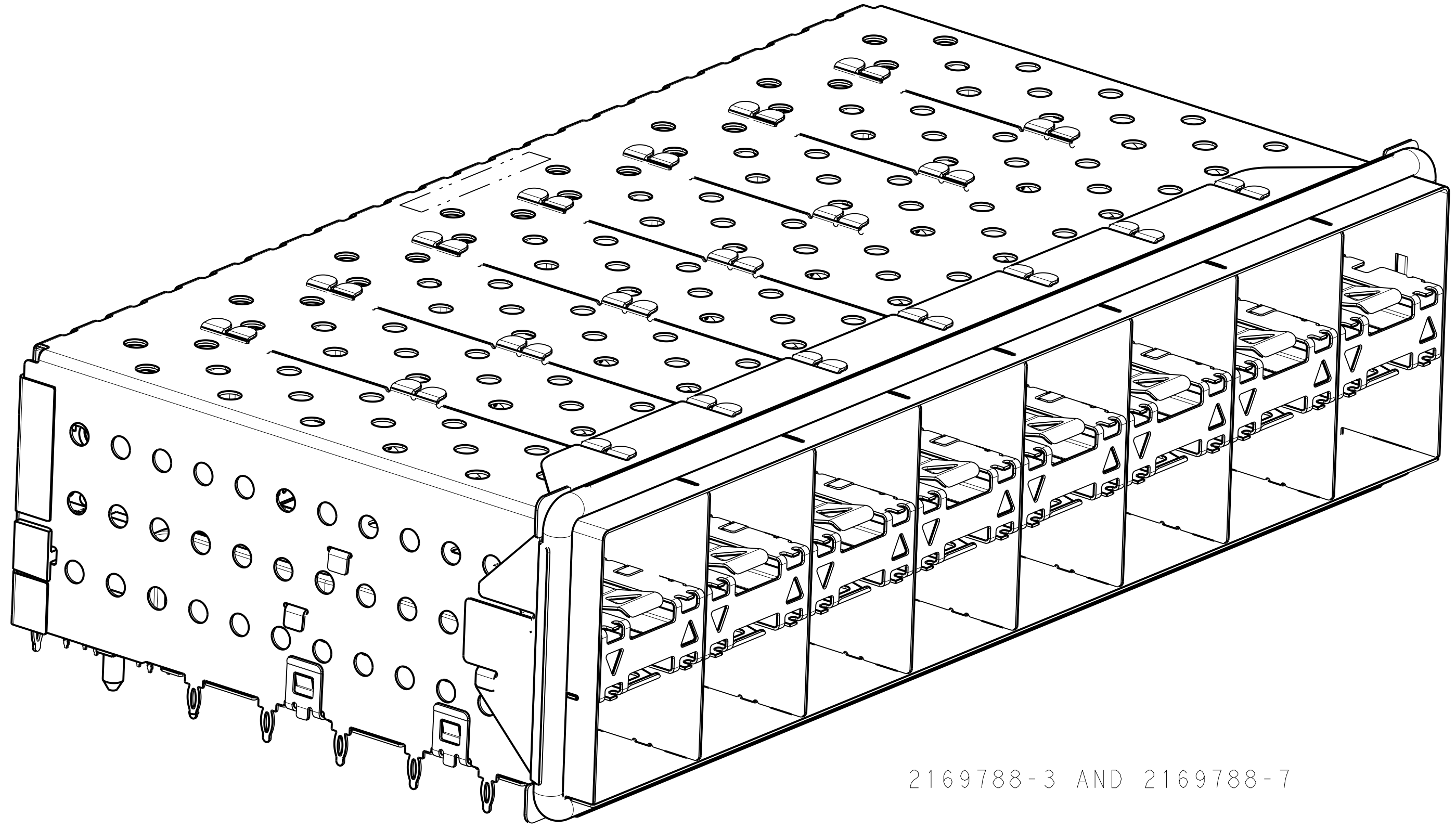
2169788-1 AND 2169788-5



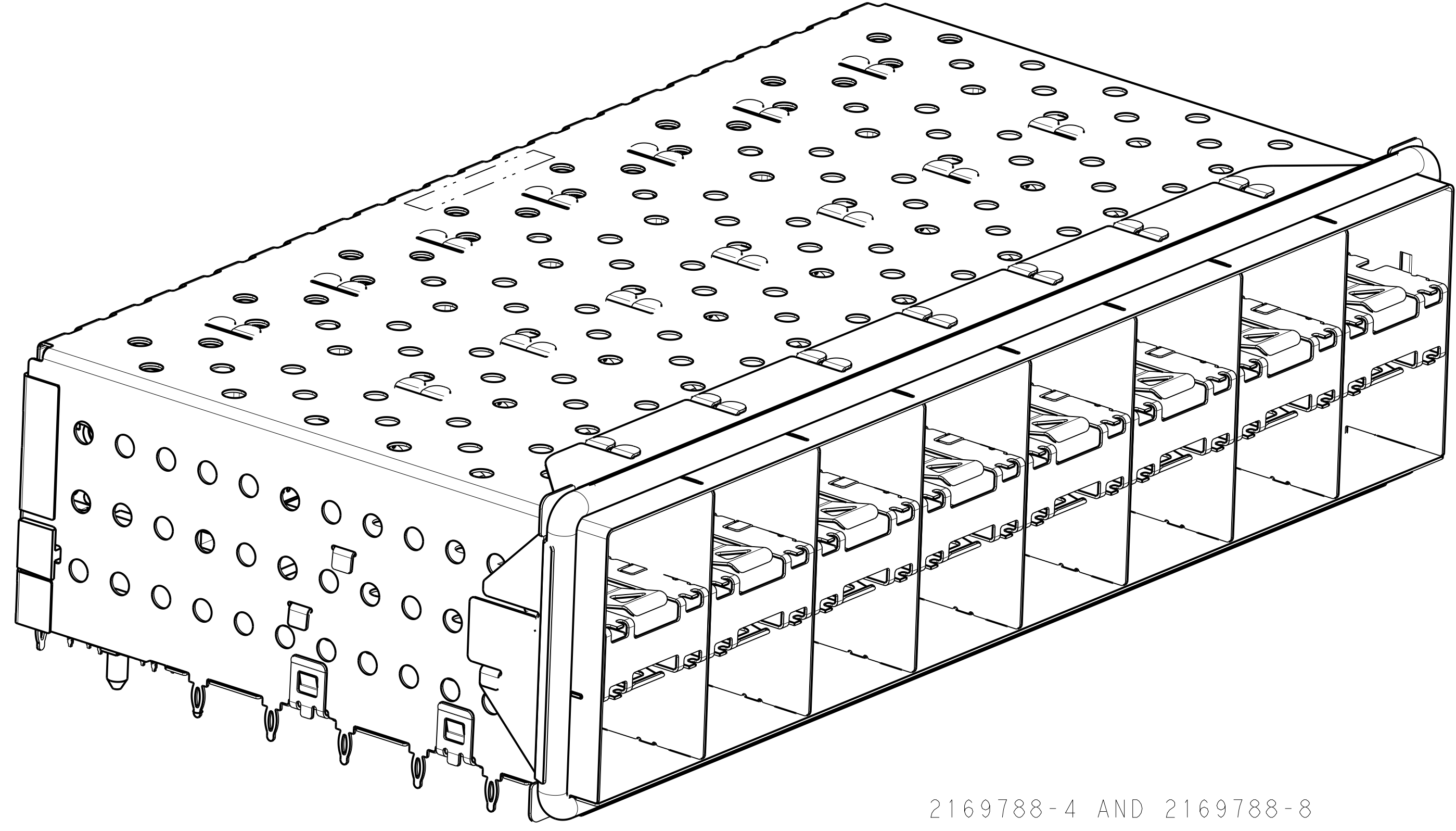
2169788-2 AND 2169788-6




2169788-3 AND 2169788-7

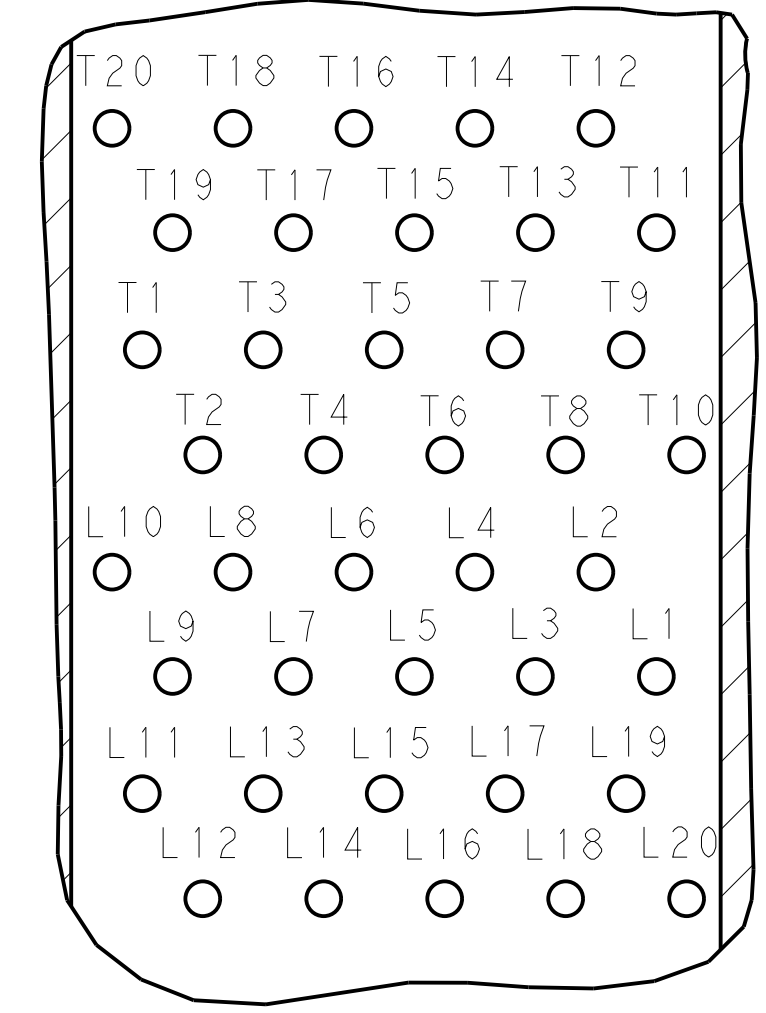
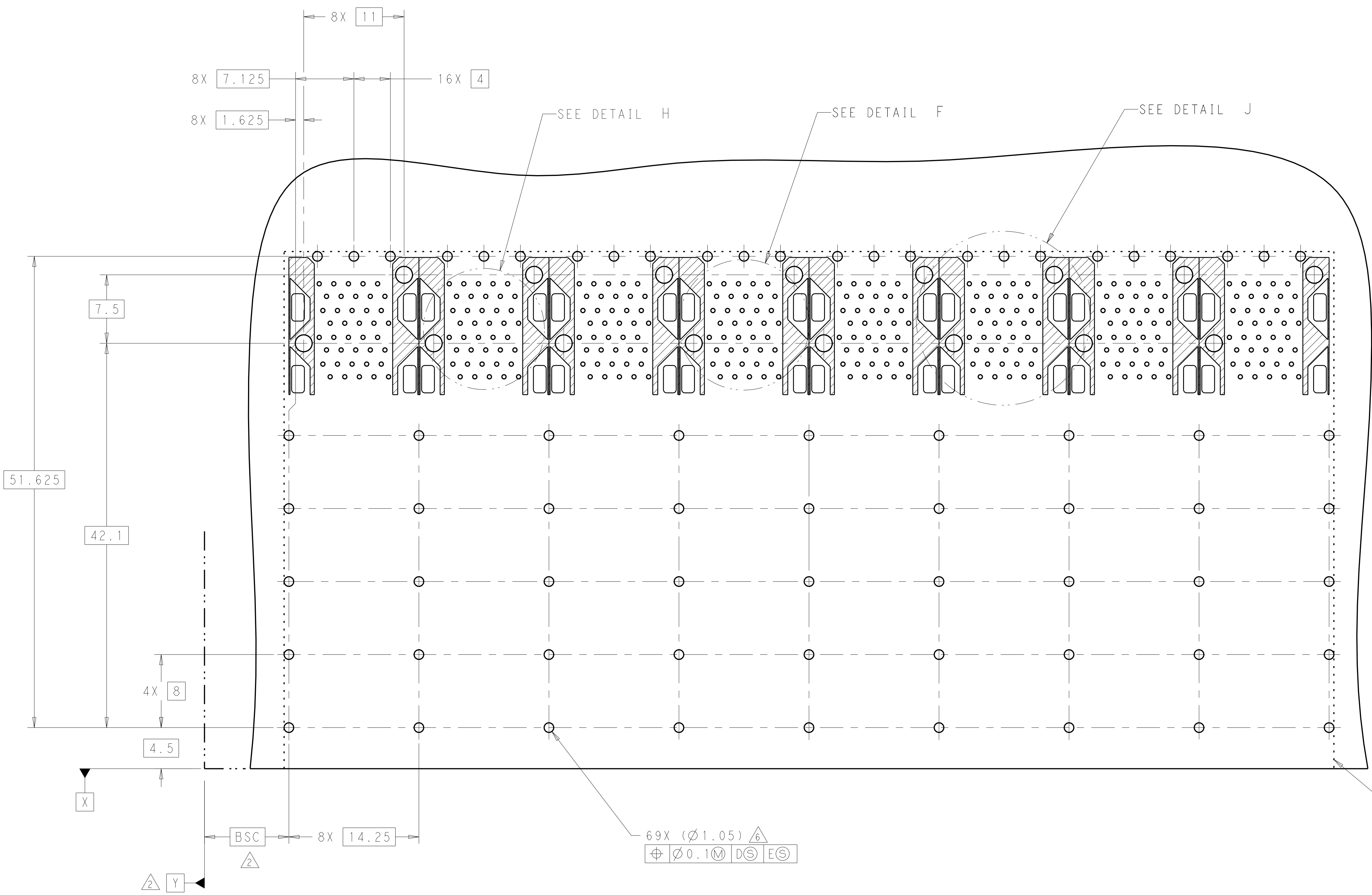


2169788-4 AND 2169788-8



THIS DRAWING IS A CONTROLLED DOCUMENT.		OWN C. VALENTINI 18JAN2011	 TE Connectivity
DIMENSIONS: mm		CHK P. RECCE 18JAN2011	
TOLERANCES UNLESS OTHERWISE SPECIFIED:		APVD P. RECCE 18JAN2011	NAME CAGE AND PT CONNECTOR ASSEMBLY, WITH EMI GASKET, PRESS FIT, 2X8, STACKED SFP+
0 PLC ±0.1 1 PLC ±0.1 2 PLC ±0.1 3 PLC ±0.1 4 PLC ±0.1 ANGLES ±0.1		PRODUCT SPEC 108-2331	
MATERIAL		APPLICATION SPEC 114-13219	SIZE A100779C=2169788
FINISH SEE TABLE		WEIGHT CUSTOMER DRAWING	RESTRICTED TO SCALE 3:1 SHEET 2 OF 4 REV B

LOC	DIST	REVISIONS			
P	LTN	DESCRIPTION	DATE	DWN	APVD
-	-	SEE SHEET 1	-	-	-



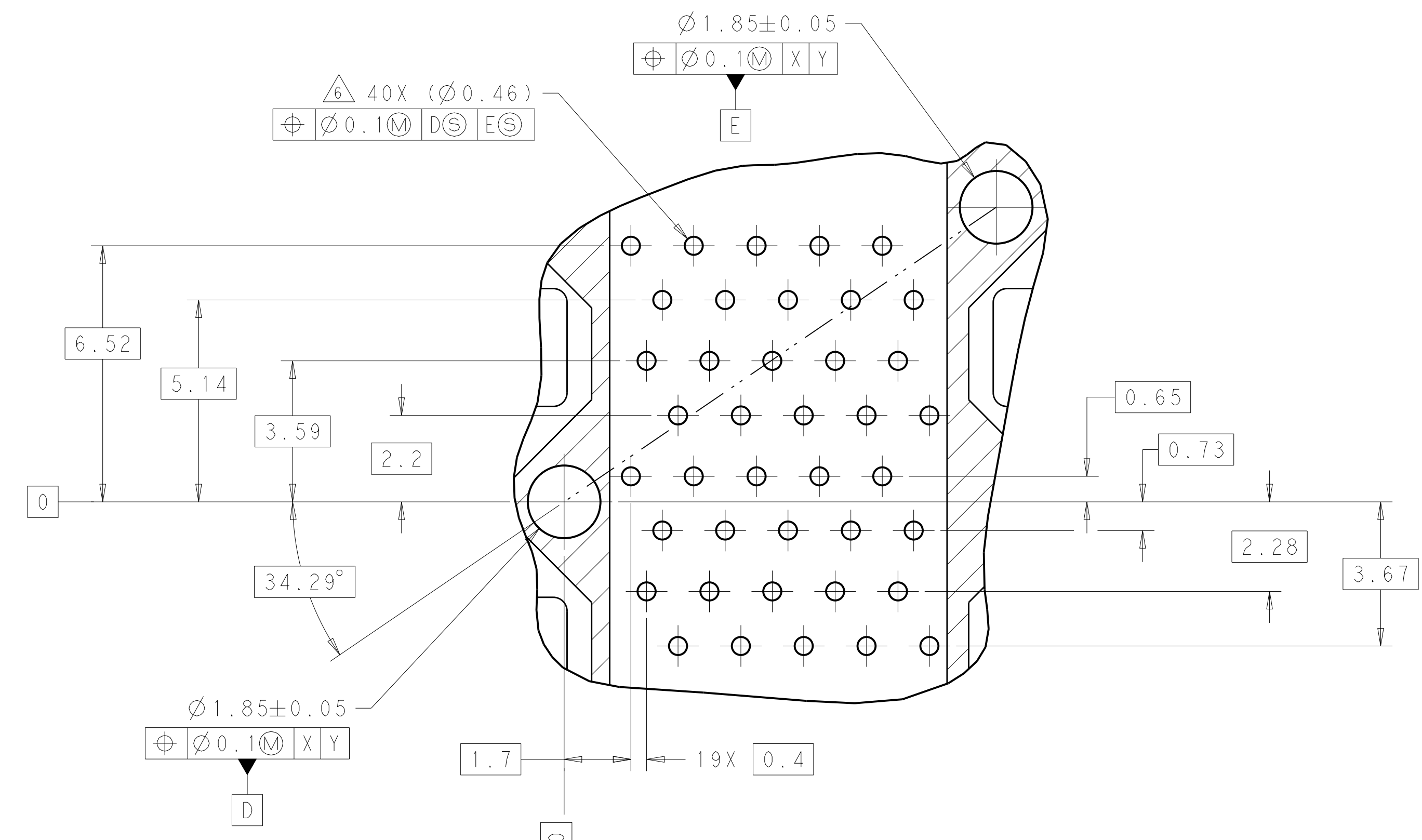
DETAIL H
 CONNECTOR PIN-OUT
 COMPONENT SIDE OF BOARD
 8X INDIVIDUALLY
 SCALE 10:1

RECOMMENDED PCB LAYOUT
 COMPONENT SIDE OF BOARD
 SCALE 4:1

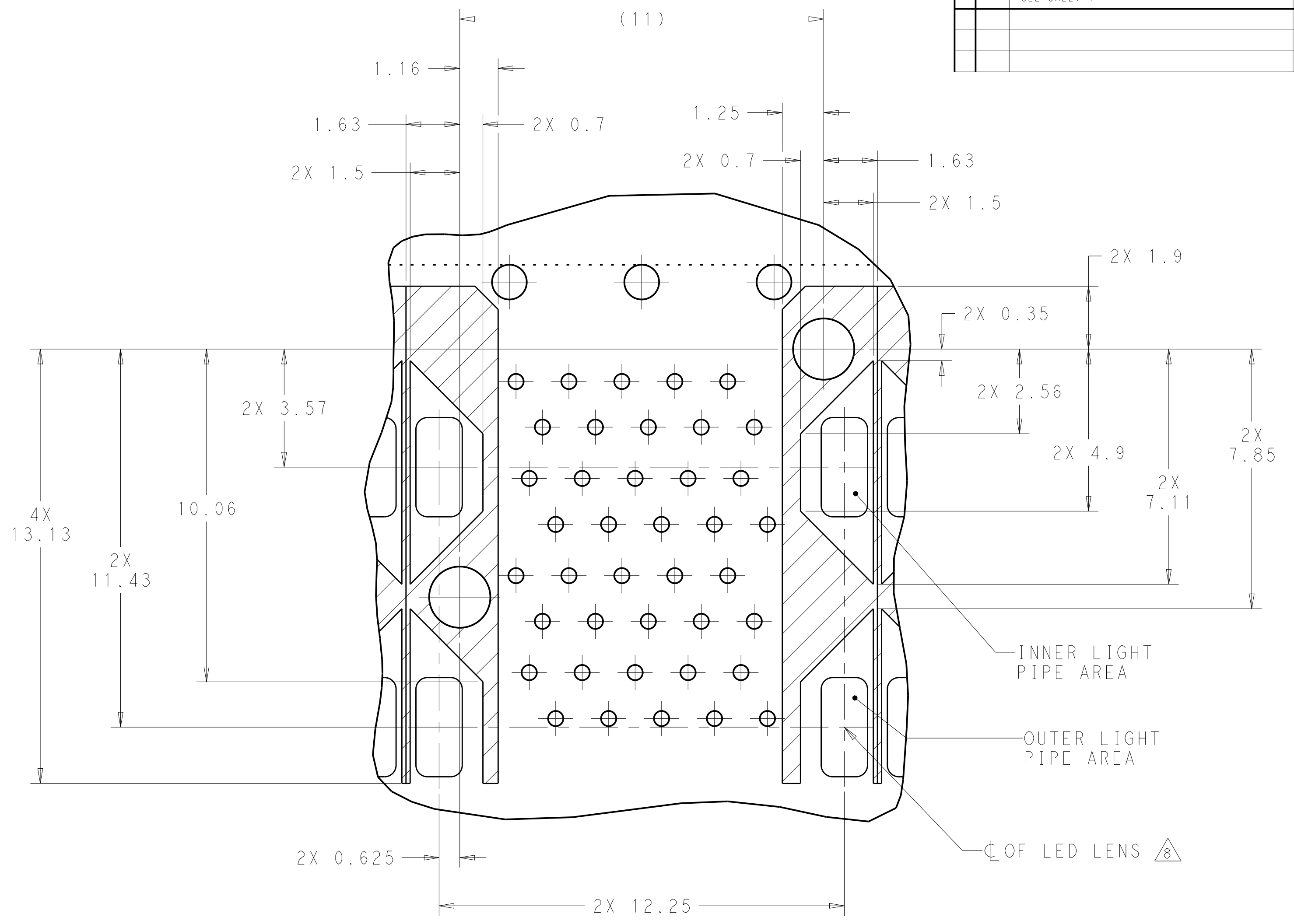
69X (Ø1.05) Δ
 $\oplus \ominus \phi 0.1 \text{ M D S E S}$

THIS DRAWING IS A CONTROLLED DOCUMENT.		DWN C. VALENTINE 18JAN2011	TE Connectivity
DIMENSIONS: mm		CHK P. RECCE 18JAN2011	
TOLERANCES UNLESS OTHERWISE SPECIFIED:		APVD P. RECCE 18JAN2011	NAME CAGE AND PT CONNECTOR ASSEMBLY, WITH EMI GASKET, PRESS FIT, 2X8, STACKED SFP+
0 PLC ± 0.1 1 PLC ± 0.1 2 PLC ± 0.1 3 PLC ± 0.1 4 PLC ± 0.1 ANGLES ± 0.1		PRODUCT SPEC 108-2331	RESTRICTED TO
MATERIAL		APPLICATION SPEC 114-13219	SIZE A100779C=2169788
FINISH		WEIGHT	SCALE 3:1 SHEET 3 OF 4 REV B
SEE TABLE		CUSTOMER DRAWING	

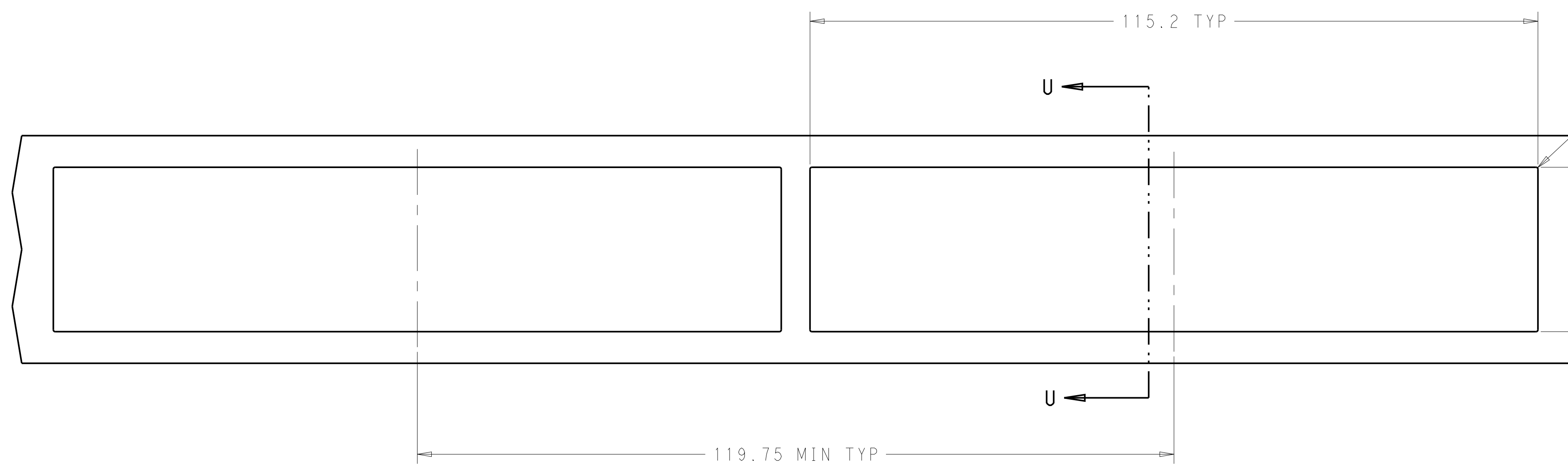
LOC		DIST		REVISIONS			
GP	00	P	LTN	DESCRIPTION	DATE	DWN	APVD
		-	-	SEE SHEET 1	-	-	-



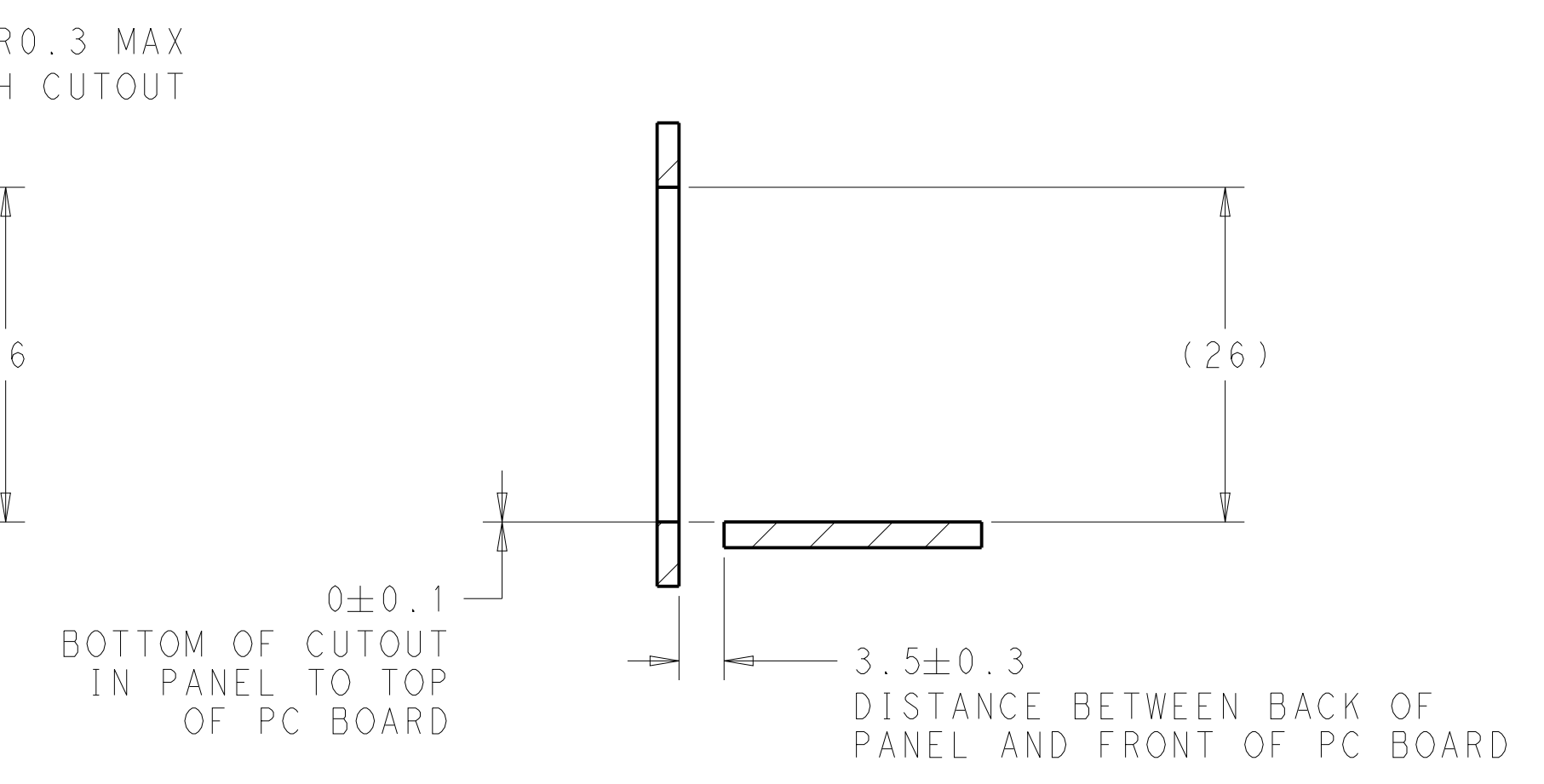
DETAIL F
 8X INDIVIDUALLY
 SCALE 10:1



DETAIL J
 CONNECTOR HOUSING
 KEEPOUT ZONE
 8X INDIVIDUALLY
 SCALE 10:1



RECOMMENDED PANEL CUTOUT
 AND PC BOARD, PANEL POSITION
 SCALE 2:1



SECTION U-U
 SCALE 2:1

THIS DRAWING IS A CONTROLLED DOCUMENT.		DWN C. VALENTINE 18JAN2011	18JAN2011	STE TE Connectivity
DIMENSIONS: mm		CHK P. RECCE 18JAN2011	18JAN2011	
TOLERANCES UNLESS OTHERWISE SPECIFIED:		APVD P. RECCE 18JAN2011	NAME CAGE AND PT CONNECTOR ASSEMBLY, WITH EMI GASKET, PRESS FIT, 2X8, STACKED SFP+	RESTRICTED TO
0 PLC ±0.1 1 PLC ±0.1 2 PLC ±0.1 3 PLC ±0.1 4 PLC ±0.1		PRODUCT SPEC 108-2331	SIZE A100779C=2169788	
MATERIAL FINISH SEE TABLE		APPLICATION SPEC 114-13219	WEIGHT	SCALE 3:1 SHEET 4 OF 4 REV B
CUSTOMER DRAWING				